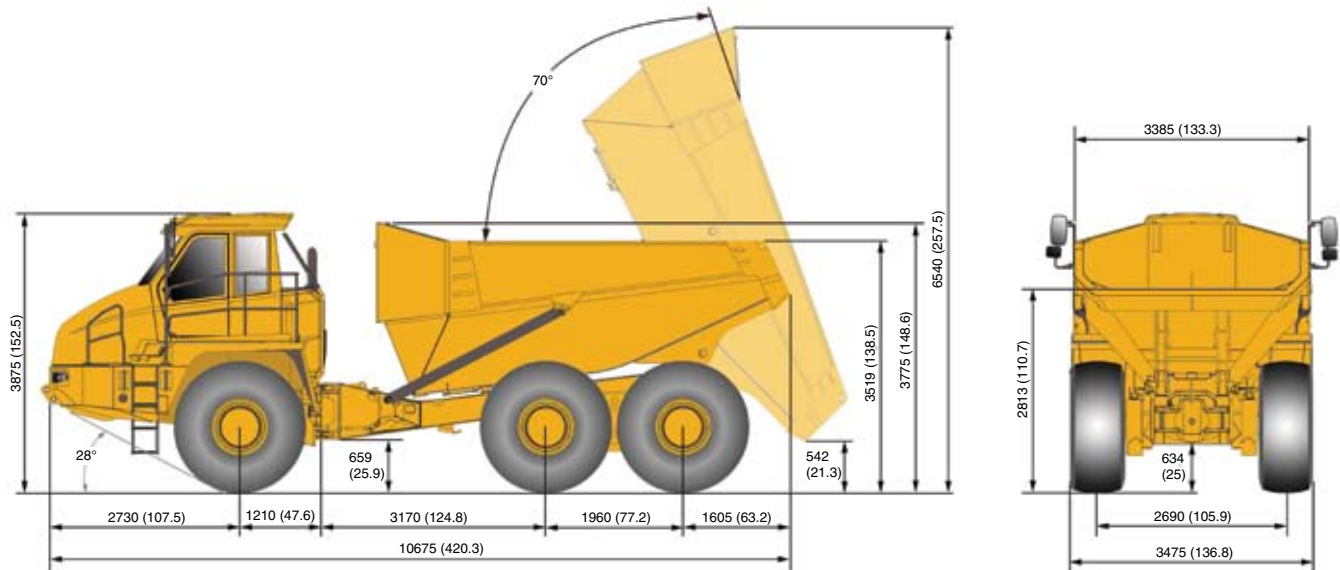


# MOXY ADT RANGE



## MT5 I



millimetres (inches)

### BODY

- Material: Hardened abrasion-resistant steel plates
- Tilt cylinders: Single stage, double-acting
- Tipping time: Up: 12 sec. / Down 11 sec.
- The body is designed for exhaust heating
- Sloping body down from the hinge point

	Cubic Yards	Cubic Metres
• Level capacity :	30	23
• Heaped capacity : (Acc. SAE J 1363, 2:1)	38	29
• Heaped capacity : (Acc. SAE J 1363, 1:1)	46	35

### WEIGHTS

	LB	KG
Empty: Front axle	35,860	16,300
Rear axle	33,000	15,000
Loaded: Front axle	49,082	22,310
Rear axle	121,704	55,320
Pay load	101,926	46,270
Total weight (loaded)	170,786	77,630

NOTE: All weights include a full fuel tank and operator

### GROUND PRESSURES

Standard 26.5 x 25 tyres with 15% sinkage	Bar	kPa
Empty: Front axle	1.02	102
Rear axle	0.48	48
Loaded: Front axle	1.42	142
Rear axle	1.76	176

### CAPACITIES

	GALLONS	LITRES
• Fuel Tank	158.5	600
• Hydraulic System	66.0	250
• Engine Cooling System	19.8	75
• Transmission	11.9	45
• Dropbox	3.2	12
• Engine Crankcase	11.9	45
• Front Reduction Gear	2 x 2	2 x 7.5
• Rear Differential	14.8	56
• Tandem Housing	2 x 40	2 x 150

### SPEEDS

	MPH	KMH
1st	5	8
2nd	10	16
3rd	14	23
4th	22	36
5th	29	47
6th	33	54

### ENGINE

- Cummins QSX15 water-cooled diesel engine with multi-positioned waste gated turbo charger and air to air intercooler
- Complies with U.S. EPA Tier 3, CARB Tier 3, EU Stage 111A (ISO 8178) for emissions
- Power rating: (1kW = hp/1.36)

(ISO 3046) 510 hp (375 kW)  
(ISO 9249) 508 hp (374 kW)

- No. of cylinders: 6 (in line)
- Cylinder volume: 915 cubic inches (15 litres)
- Air filter: Dry type

### TRANSMISSION

- Allison 4600 ORS automatic transmission with lock up in all gears
- Remote propshaft driven two speed dropbox

### BRAKE SYSTEM

- Dual circuit braking system acting on all six wheels
- Approved according to ISO 3450
- All hydraulic operated brakes with enclosed oil-cooled wet multiple discs all round
- Spring actuated hydraulic released parking brake, mounted on propeller shaft
- Max. gradient, parking brake: 20
- Automatic engine brake as standard
- Automatic transmission retarder as standard

### HYDRAULIC SYSTEM

- Pumps: Engine mounted 3 load sensing piston pumps & 2 gear pumps for tipping, steering, brake charging, cooling fan & auxiliaries
- Delivery: 326 l/min @ 2000 rpm
- Filtration: One return flow filter
- Pressure-setting, main safety valves
- Tipping Circuit: 280 bar
- Steering Circuit: 210 bar

### ELECTRICAL SYSTEM

- Alternator: 24V 70A
- Batteries: (two): 12V 225Ah (series connected to give 24V)
- Starter: 12 HP (9.0 kW)

#### SUSPENSION

- Front: Independent with long life rubber springs and hydraulic shock absorbers
- Rear: Free-swinging tandem housing

#### ARTICULATION HINGE AND STEERING

- Articulation hinge with forward mounted turning ring
- Steering cylinders (two): Double-acting
- The steering is approved according to ISO 5010
- Max. steering angle: 45°
- Ground driven emergency steering pump

#### DRIVE LINE

- Full-time 6 x 6 drive with two transverse differentials and one longitudinal
- Front axle transverse differential: Limited-slip with 45% locking ratio
- Rear axle transverse differential: Limited slip with 45% locking ratio
- Inter-axle longitudinal differential: Torque-proportioning differential, integrated into Dropbox
- Torque distribution:
  - 1/3 to the front axle
  - 2/3 to the rear axle
  - 100% lockable
- Tandem housing: Gear driven, free-swinging. Provides equal drive to rear wheels and ensures the best possible ground contact – whatever the ground conditions

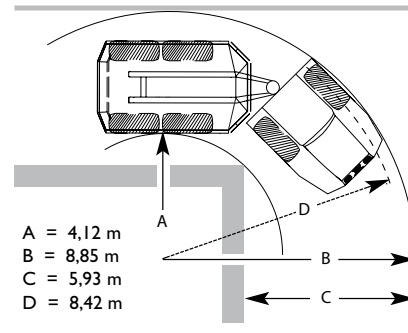
#### CAB

- Approved to ROPS/FOPS standards (ISO 3471, ISO 3449, SAE J231 and SAE J1040 April '88)
- Low interior sound level 74 dB(A) (ISO 6394)
- The cab is centrally located on rubber mountings
- Hand and arm vibrations are less than 2,5 m/s according to ISO 5349-2
- Whole body vibration is less than 0,5 m/s according to ISO 2631-1
- Superior visibility – for safer operation
- Superior operating controls location
- Adjustable suspended operator seat
- Adjustable steering column
- Heater and Air Conditioning
- Tilting for service access

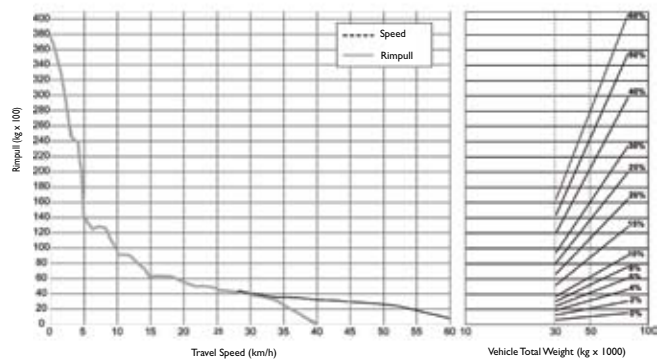
#### TIRES

- Standard 29,5 R25 two star radial

Turning radius according to ISO 7457: 27.6 feet (8,42 m)



#### PERFORMANCE DIAGRAM



Moxy operates a policy of continuous development and improvement and as such all specifications are subject to change at any time without prior notice



**Moxy Engineering AS**  
N-6440 Elnesvågen, Norway  
Tel.: +47 71 26 85 00  
Fax.: +47 71 26 85 55  
moxy@moxy.no  
www.moxy.no

**Moxy Trucks of America, LLC**  
One Kovach Drive  
Cincinnati, Ohio 45215  
Tel.: +513 821 2000  
Fax.: +513 587 3000  
Free.: +800 423 5923